

# BOSTEC

Booth Oven & Stoving Technologies

Spray Booth Price List - March 2021

## STANDARD WATER BACK BOOTH - 2.5M High - 1.1M Deep

Every Booth comes complete with Start/Stop, LED Lighting Kit, 415V - 3 Phase Fans & Pumps —Supplied in Kit form.

Model Number	Working Width (mm)	Air Volume M3/Hr	Ducting Size (mm)	Kit Price £	Additional £ 1.1M Canopy
BTW11B	1,100	5,940	1 x 600	4,870.00	205.00
BTW22B	2,200	13,590	1 x 710	5,652.00	250.00
BTW33B	3,300	20,300	1 x 762	6,454.00	315.00
BTW44B	4,400	27,180	1 x 762	8,411.00	430.00
BTW55B	5,500	35,600	2 x 710	9,350.00	570.00
BTW66B	6,600	41,600	2 x 762	10,128.00	660.00

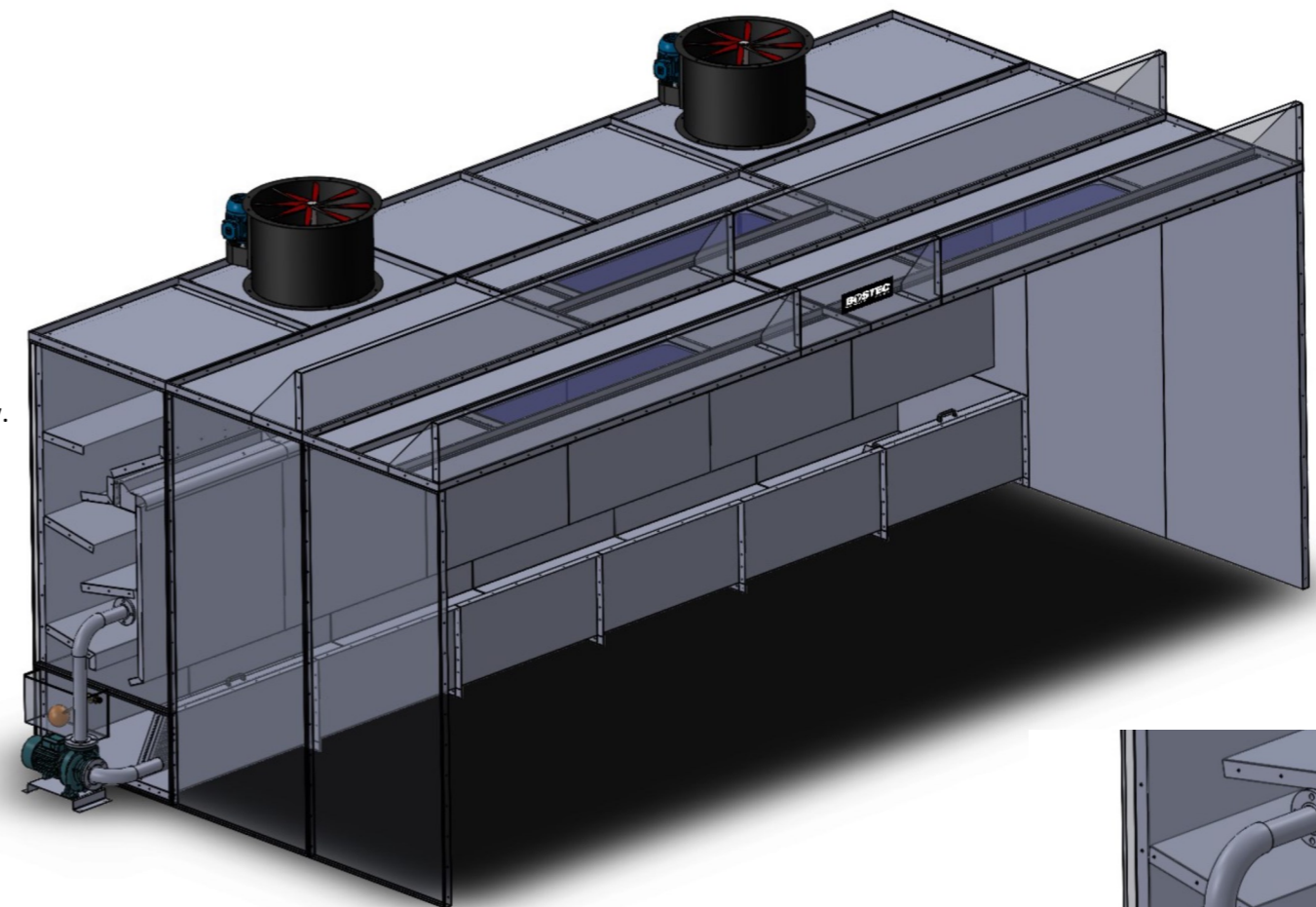
Other Sizes & Voltages Available on application. Non-Flameproof as Standard - Flameproof motors available to order only.

### What we include with every booth:

- 1.1M Deep Canopy Section
- Belt Driven Axial Fanset
- Non-flameproof Motor – Polypropylene Impellor – Metal Casing – Inspection Hatch
- Centrifugal Pump
- Non-flameproof Daylight Simulating LED Lighting
- Chemicals and ph. testing kit
- Start Stop Buttons with Overloads
- Full User Manual with Build Instructions

### Optional Extras:

- Extra Height Wash Tower (3.0 Metres)
- Mechanical Installation (inc. cutting holes)
- Electrical Wiring to local supply
- Additional 1.1M or 0.55M Deep Canopy Sections (*bolt straight on*)
- Doorsets and Inlet Filters to convert to an enclosed room
- 240V & Flameproof Motor options
- Side Mounted LED Lighting
- Silencers (*recommended for 762mm & Twin Fan Booths*)
- Automatic Lighting and Run on Timer Systems
- Full User Manual with Build Instructions



Above: 6.6M Wide Waterwash with optional additional Front Canopy - Twin Fans, Twin Pumps and LED Lighting as standard — self assembly or fully installed —  
Call 0161 518 1818 for further information.

